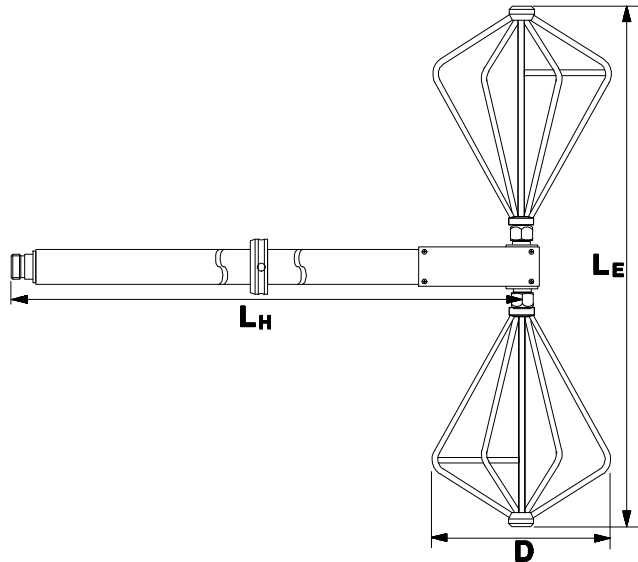


SCHWARZBECK MESS - ELEKTRONIK

An der Klinge 29 D-69250 Schönau Tel.: 06228/1001 Fax.: (49)6228/1003

VUBA 9117 VHF-UHF Bikonus-Antenne VUBA 9117 VHF-UHF Biconical Antenna



Technische Daten:

Frequenzbereich, nominell:	150 - 1000 MHz
Frequenzbereich, nutzbar mit externer Mantelstromsperre:	30 - 1000 MHz
Impedanz (nominal):	50 Ω
Antennenwandlungsmaß: (abhängig vom Elementtyp)	15 - 35 dB/m
Länge Halterung: L _H =540 mm	
Balun:	1:1
Breite L _E :	440 mm
Antennenschaft (Halterungsrohr)	Ø 22 mm
Gewicht der gesamten Antenne:	0.83 kg
HF-Leistung:	5 W
Koaxialanschluß:	N-Buchse / N - female

Specifications:

<i>Frequency Range, nominal:</i>
<i>Frequency Range, usable with external ferrite braid choke:</i>
<i>nominal Impedance:</i>
<i>Antenna Factor:</i> <i>(depending on elem. type in use)</i>
<i>Length holder: L_H=540 mm</i>
<i>Balun:</i>
<i>Width L_E:</i>
<i>Antenna shaft (Tube):</i>
<i>Total weight:</i>
<i>Power (EMC TX):</i>
<i>Coaxial Connector:</i>

Die VHF-UHF-Breitbandantenne VUBA 9117 bietet im Frequenzbereich von 150-1000 MHz einen sehr gleichmäßigen Gewinnverlauf. Das Richtdiagramm in der H-Ebene ist rundstrahlend, in der E-Ebene "8"-förmig, ähnlich wie bei Dipolen. Die VUBA 9117 ist besonders zur schnellen und komfortablen Breitbandüberprüfung von Messgeländen geeignet.

The Biconical VHF-UHF Broadband Antenna VUBA 9117 offers a a flat gain characteristic in the frequency range 150-1000 MHz. The directional pattern is circular in the H-plane and "8"-shaped in the E-plane, similiar to dipole patterns. A typical application for the VUBA 9117 is the fast and convenient broadband evaluation of the actual site attenuation.

SCHWARZBECK MESS - ELEKTRONIK

An der Klinge 29 D-69250 Schönau Tel.: 06228/1001 Fax.: (49)6228/1003

VUBA 9117 VHF-UHF Bikonus-Antenne VUBA 9117 VHF-UHF Biconical Antenna

70412gs

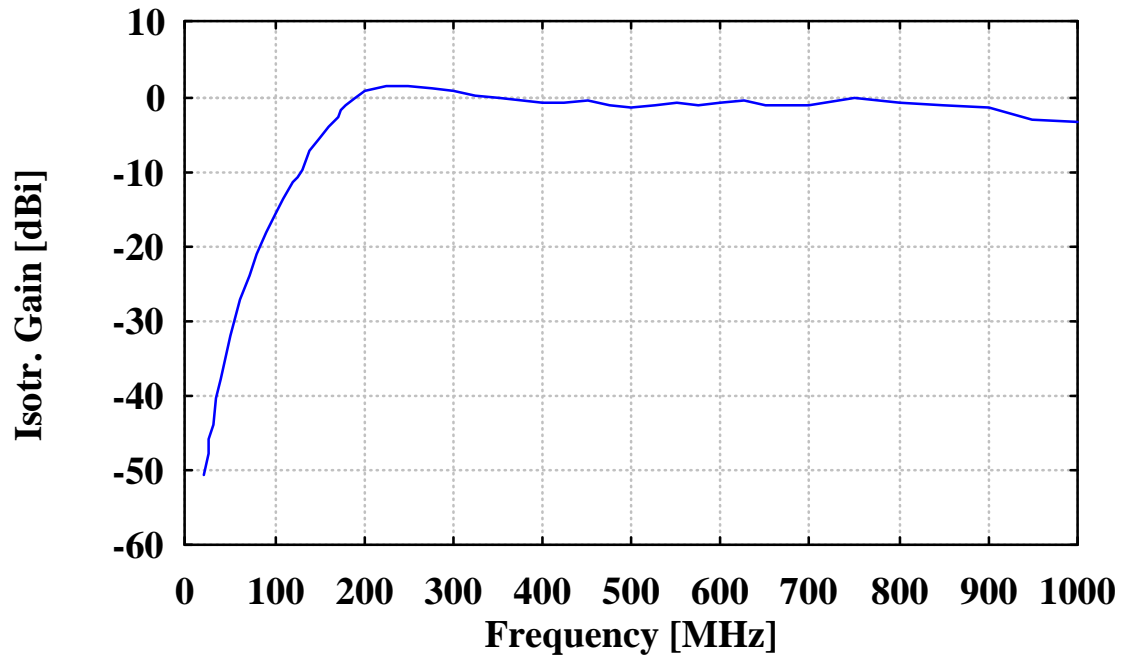
Frequency	Distance	lambda	Attenuation	Gain(Isotr.)	Gain (Dipole)	Ant.-Factor
MHz	m	m	dB	dBi	dBd	dB/m
20.00	3.00	15.00	109.80	-50.90	-53.05	47.14
25.00	3.00	12.00	105.90	-47.98	-50.13	46.16
27.00	3.00	11.11	102.70	-46.04	-48.19	44.89
30.00	3.00	10.00	99.80	-44.14	-46.29	43.90
35.00	3.00	8.57	93.70	-40.42	-42.57	41.52
40.00	3.00	7.50	89.50	-37.74	-39.89	40.00
50.00	3.00	6.00	80.00	-32.02	-34.17	36.22
60.00	3.00	5.00	72.13	-27.29	-29.44	33.07
70.00	3.00	4.29	66.64	-23.88	-26.03	31.00
80.00	3.00	3.75	62.40	-21.18	-23.33	29.46
90.00	3.00	3.33	57.20	-18.06	-20.22	27.37
100.00	3.00	3.00	53.40	-15.71	-17.86	25.93
110.00	3.00	2.73	50.05	-13.62	-15.77	24.67
120.00	3.00	2.50	46.45	-11.44	-13.59	23.24
125.00	3.00	2.40	45.40	-10.74	-12.89	22.90
130.00	3.00	2.31	43.76	-9.75	-11.90	22.25
140.00	3.00	2.14	39.55	-7.32	-9.47	20.46
150.00	3.00	2.00	36.81	-5.65	-7.80	19.39
160.00	3.00	1.88	34.22	-4.08	-6.23	18.38
170.00	3.00	1.76	32.10	-2.75	-4.90	17.58
175.00	3.00	1.71	30.48	-1.82	-3.97	16.90
180.00	3.00	1.67	29.70	-1.30	-3.45	16.63
190.00	3.00	1.58	27.90	-0.17	-2.32	15.96
200.00	3.00	1.50	26.50	0.75	-1.40	15.49
225.00	3.00	1.33	26.14	1.45	-0.71	15.82
250.00	3.00	1.20	27.31	1.32	-0.83	16.86
275.00	3.00	1.09	28.53	1.12	-1.03	17.88
300.00	3.00	1.00	29.87	0.83	-1.32	18.93
325.00	3.00	0.92	31.98	0.12	-2.03	20.34
350.00	3.00	0.86	33.38	-0.26	-2.41	21.36
400.00	3.00	0.75	35.43	-0.70	-2.85	22.96
425.00	3.00	0.71	36.10	-0.77	-2.92	23.56
450.00	3.00	0.67	36.15	-0.55	-2.70	23.83
475.00	3.00	0.63	37.64	-1.06	-3.21	24.81
500.00	3.00	0.60	38.70	-1.37	-3.52	25.57
525.00	3.00	0.57	38.50	-1.05	-3.21	25.68
550.00	3.00	0.55	38.56	-0.88	-3.03	25.91
575.00	3.00	0.52	39.55	-1.18	-3.34	26.60
600.00	3.00	0.50	38.84	-0.64	-2.80	26.43
625.00	3.00	0.48	39.14	-0.62	-2.77	26.76
650.00	3.00	0.46	40.16	-0.96	-3.11	27.44
675.00	3.00	0.44	40.50	-0.96	-3.11	27.77
700.00	3.00	0.43	41.10	-1.11	-3.26	28.23
750.00	3.00	0.40	39.68	-0.10	-2.25	27.82
800.00	3.00	0.38	41.48	-0.72	-2.87	29.00
850.00	3.00	0.35	42.50	-0.96	-3.11	29.77
900.00	3.00	0.33	44.14	-1.53	-3.68	30.84
950.00	3.00	0.32	47.34	-2.90	-5.05	32.67
1000.00	3.00	0.30	48.60	-3.31	-5.46	33.53

SCHWARZBECK MESS - ELEKTRONIK

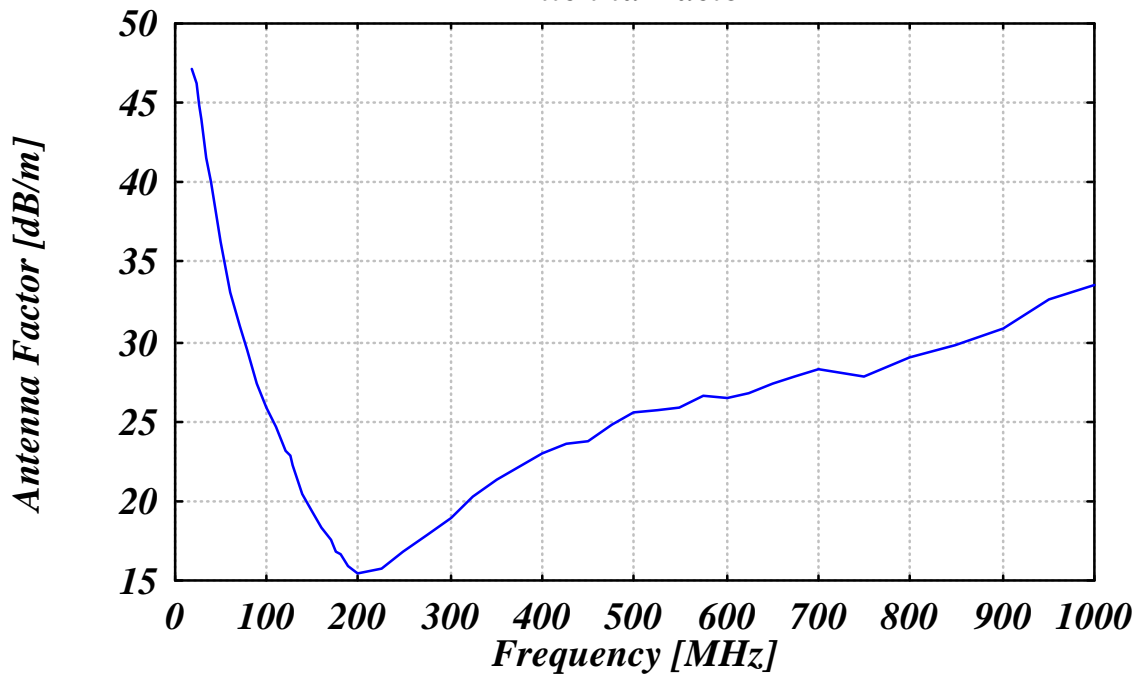
An der Klinge 29 D-69250 Schönau Tel.: 06228/1001 Fax.: (49)6228/1003

VUBA 9117 VHF-UHF Bikonus-Antenne VUBA 9117 VHF-UHF Biconical Antenna

Isotropic Gain



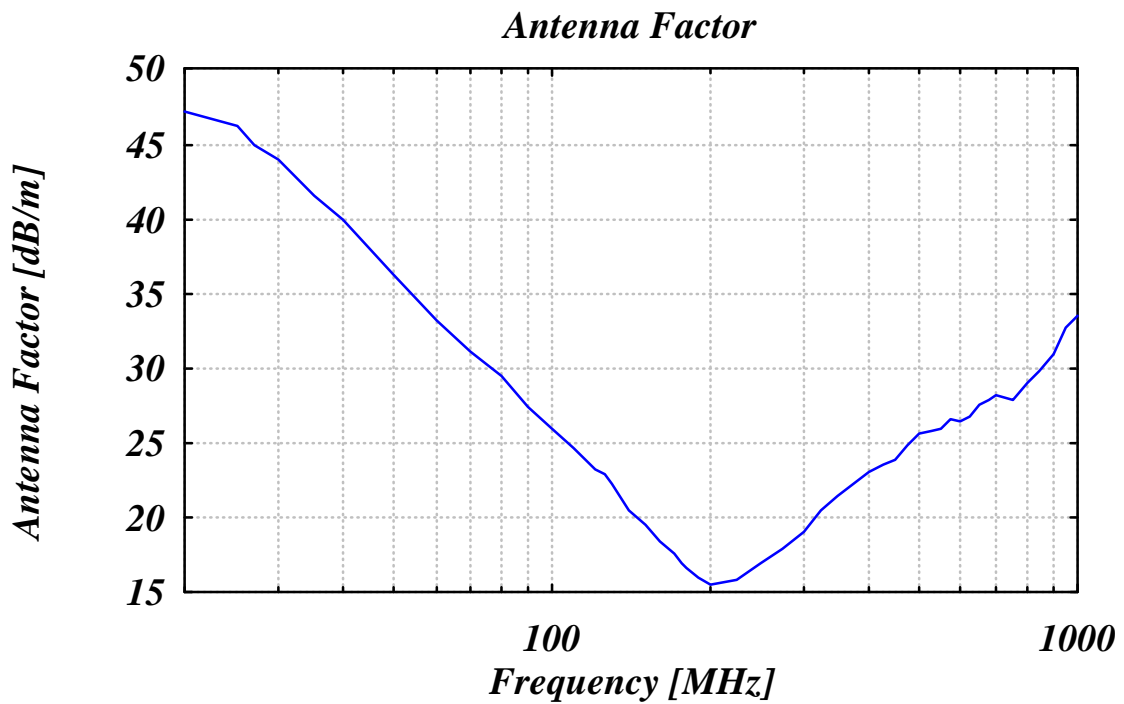
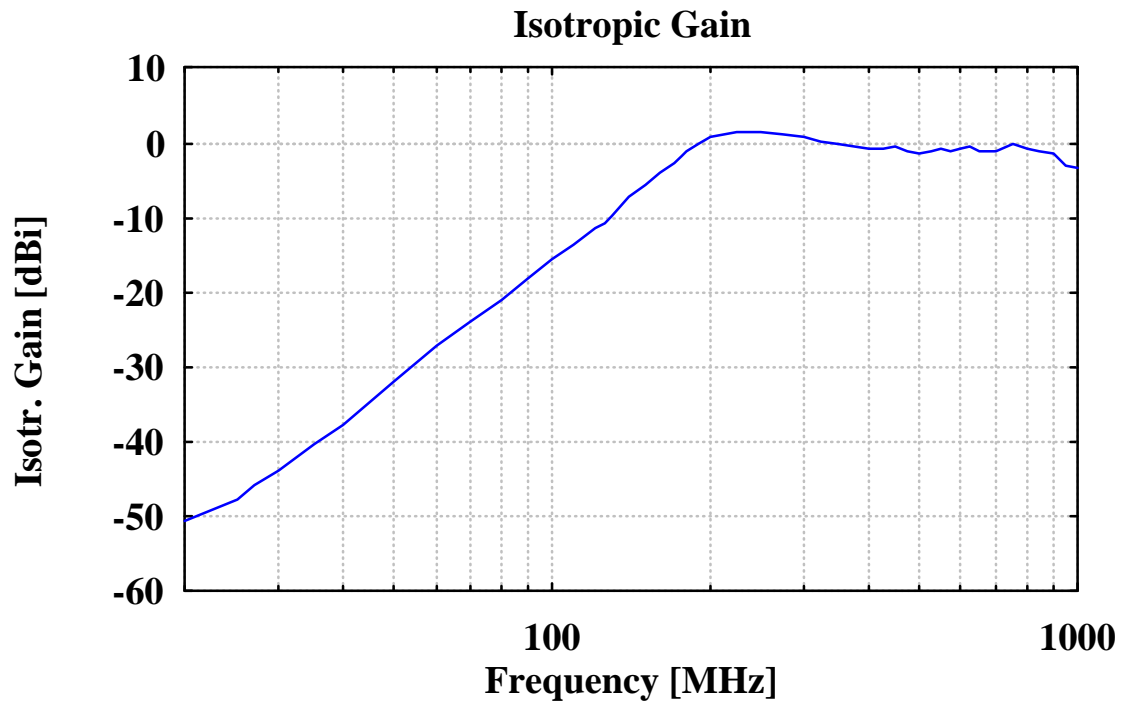
Antenna Factor



SCHWARZBECK MESS - ELEKTRONIK

An der Klinge 29 D-69250 Schönau Tel.: 06228/1001 Fax.: (49)6228/1003

VUBA 9117 VHF-UHF Bikonus-Antenne VUBA 9117 VHF-UHF Biconical Antenna



SCHWARZBECK MESS - ELEKTRONIK

An der Klinge 29 D-69250 Schönau Tel.: 06228/1001 Fax.: (49)6228/1003

VUBA 9117 VHF-UHF Bikonus-Antenne VUBA 9117 VHF-UHF Biconical Antenna

